



MTE Hydraulics, Inc.  
Rockford, IL 61109  
Tel: 815-397-4701

Website [www.mtehydraulics.com](http://www.mtehydraulics.com)

[Main Menu](#)

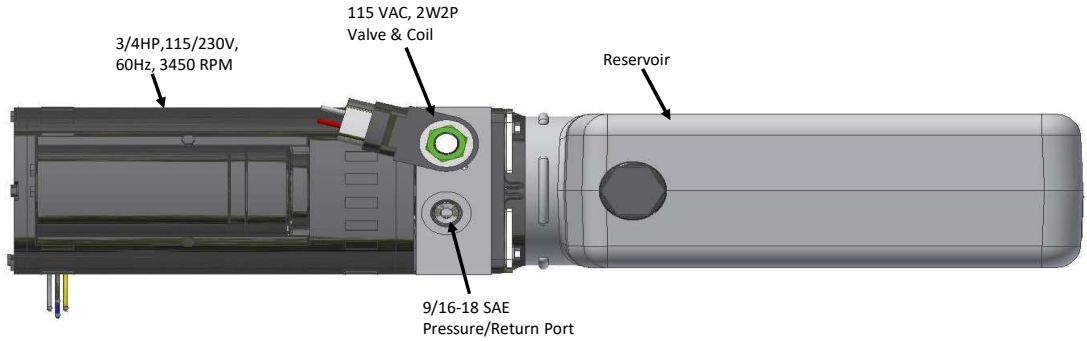
## 100 Series AC Power Up / Gravity Down Unit

### Description

Power Up / Gravity Down Unit  
Internal Check Valve  
2W2P Normally Closed Valve  
Relief Valve  
9/16-18 SAE Ports.  
Horizontal or Vertical Mounting

### Available Options

PCFC valve  
Manual Lowering



### Ordering Information

#### Fixed Displ Pump Size

101-(.019 in <sup>3</sup> /rev)
101-(.018 in <sup>3</sup> rev)
102-(.025 in <sup>3</sup> rev)
103-(.042 in <sup>3</sup> rev)

(Mark Pump Size with X)

*Consult factory for additional*

#### Tank Sizes

.42 Quart
.79 Quart
1.2 Quart
1.6 Quart
2 Quart

(Mark Tank Size with X)

*Contact factory for other tank sizes available*

#### Tank Orientation

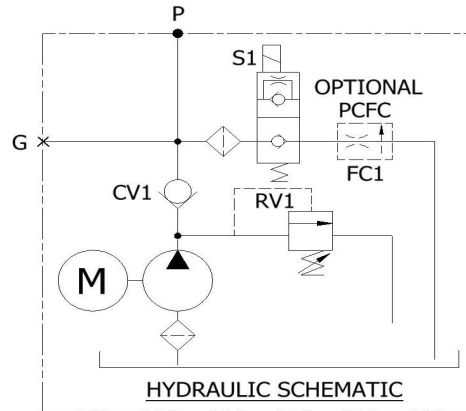
Horizontal
Vertical

(Mark orientation with X)

#### Tank Style

Plastic
Steel

(Mark Tank Option with X)



### Application Information

Are there Drawings/Schematics available \_\_\_\_\_

Operating Pressure: \_\_\_\_\_ time on \_\_\_\_\_ time off \_\_\_\_\_

RV Pressure: \_\_\_\_\_ time on \_\_\_\_\_ time off \_\_\_\_\_

Type of hydraulic fluid: \_\_\_\_\_ Fluid conditions: \_\_\_\_\_

Envelope restrictions: \_\_\_\_\_

Mounting requirements \_\_\_\_\_

Cylinder information: Stroke \_\_\_\_\_ Rod \_\_\_\_\_ Bore \_\_\_\_\_

No. of units required: \_\_\_\_\_  Mo.  Yr  Prototype required

Target Price: \_\_\_\_\_ Target Customer \_\_\_\_\_

Additional Information \_\_\_\_\_

(Coil Type, Fittings, PCFC, Etc.)

---



---



---