



MTE Hydraulics, Inc.
Rockford, IL 61109
Tel: 815-397-4701

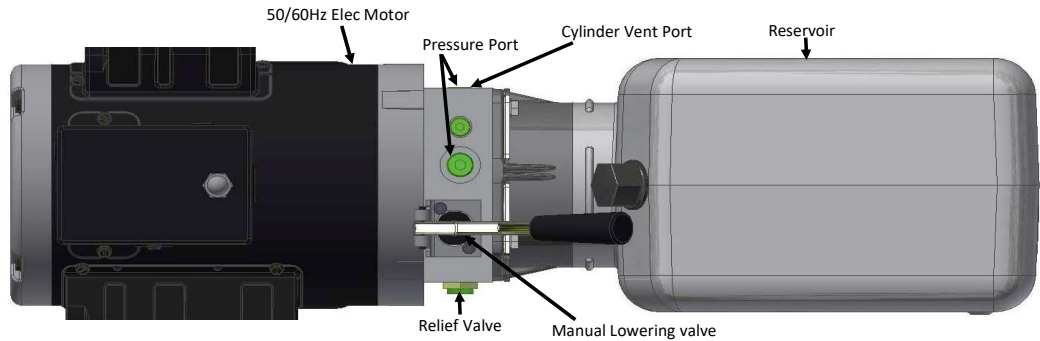
Website www.mtehydraulics.com

[Main Menu](#)

Auto Hoist AC Unit

Description

Manual Lowering Unit
Internal Check Valve
Relief Valve
(3) 9/16-18 SAE Ports.
Horizontal or Vertical Mounting



Ordering Information

Fixed Displ Pump Size
201-(.067 in ³ /rev)
202-(.110 in ³ rev)
203-(.150 in ³ rev)
204-(.191 in ³ rev)

(Mark Pump Size with X)
Consult factory for additional pumps sizes not shown.

Motor Options
1HP, 1PH, 115/208-230V
2HP, 1PH, 208-230V
2HP, 3PH, 208-230/460V
5HP, 1PH, 208-230V

Mark Motor Options with X

Tank Sizes
1 Gallon
1.25 Gallon
1.5 gallon
2 gallon
3.5 gallon

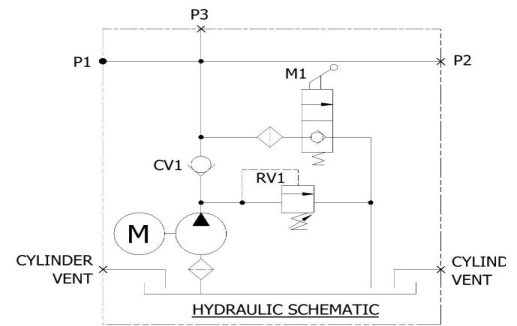
Contact factory for other tank sizes available

Tank Orientation
Horizontal
Vertical

(Mark orientation with X)

Tank Style
Plastic
Steel

(Mark Tank Option with X)



Application Information

Are there Drawings/Schematics available _____

Operating Pressure: _____ time on _____ time off _____

RV Pressure: _____ time on _____ time off _____

Type of hydraulic fluid: _____ Fluid conditions: _____

Envelope restrictions: _____

Mounting requirements _____

Cylinder information: Stroke _____ Rod _____ Bore _____

No. of units required: _____ Mo. Yr Prototype required

Target Price: _____ Target Customer _____

Additional Information
(Coil Type, Fittings, PCFC, Etc.)
