



MTE Hydraulics, Inc.
 Rockford, IL 61109
 Tel: 815-397-4701

Website www.mtehydraulics.com

[Main Menu](#)

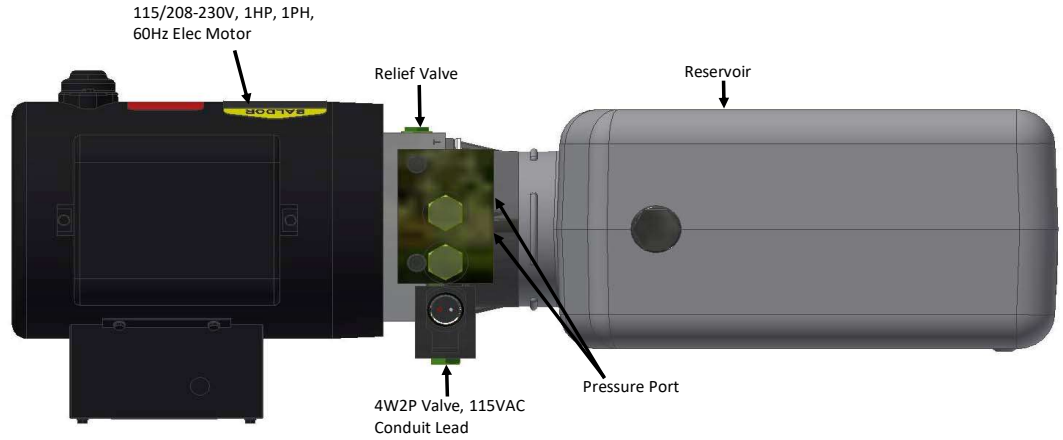
Compactor AC Unit

Description

- Double Pump
- Internal Check Valve
- Relief Valve
- (2) 9/16-18 SAE Ports.
- Horizontal or Vertical Mounting
- 1HP AC Elec Motor
- 4W2P Valve

Options

- 2W2P Valves for additional holding



Ordering Information

Fixed Displ Pump Size	
_____	201-(.067 in ³ /rev)
_____	202-(.110 in ³ rev)
_____	203-(.150 in ³ rev)
_____	204-(.191 in ³ rev)

(Mark Pump Size with X)
 Consult factory for additional pumps sizes not shown.

Tank Orientation	
_____	Horizontal
_____	Vertical

(Mark orientation with X)

Motor Options	
_____	1HP,1PH,115/208-230V
_____	2HP,1PH,208-230V
_____	2HP,3PH, 208-230V

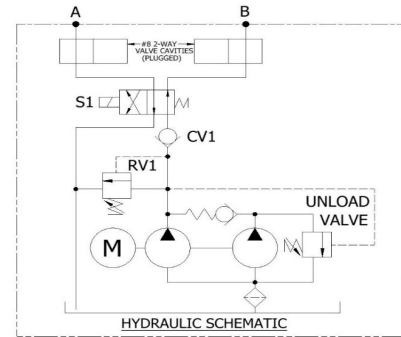
(Mark Motor Option)

Tank Style	
_____	Plastic
_____	Steel

(Mark Tank Option with X)

Tank Sizes	
_____	1 Gallon
_____	1.25 Gallon
_____	1.5 gallon
_____	2 gallon
_____	3.5 gallon

Contact factory for other tank sizes available



Application Information

Are there Drawings/Schematics available _____

Operating Pressure: _____ time on _____ time off _____

RV Pressure: _____ time on _____ time off _____

Type of hydraulic fluid: _____ Fluid conditions: _____

Envelope restrictions: _____

Mounting requirements _____

Cylinder information: Stroke _____ Rod _____ Bore _____

No. of units required: _____ Mo. Yr Prototype required

Target Price: _____ Target Customer _____

Additional Information _____
 (Coil Type, Fittings, PCFC, Etc.)
