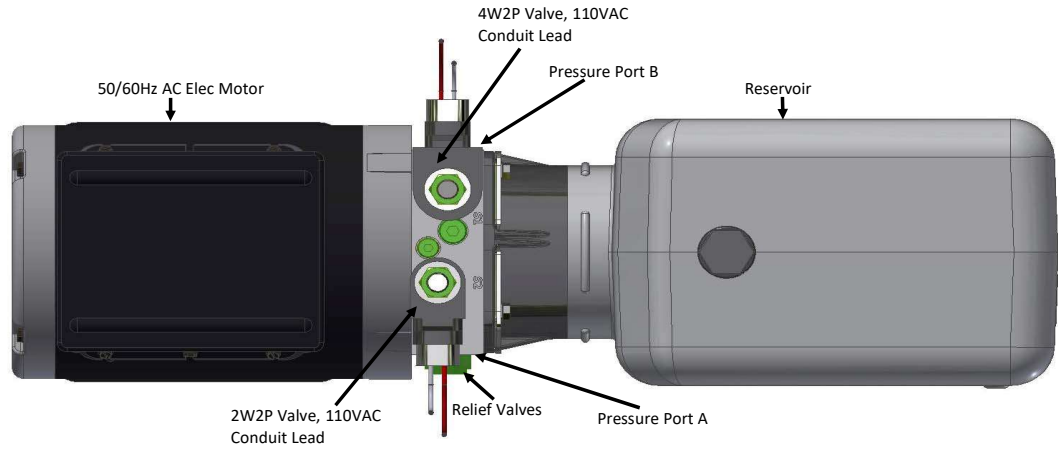




## Power Up/Power Down AC Unit

### Description

- Internal Check Valve
- (2) Relief Valve
- (2) 9/16-18 SAE Ports.
- Horizontal or Vertical Mounting
- 1HP AC Elec Motor
- 4W2P Valve
- 2W2P Valve
- PCFC



### Ordering Information

Fixed Displ Pump Size	
201-	(.067 in <sup>3</sup> /rev)
202-	(.110 in <sup>3</sup> rev)
203-	(.150 in <sup>3</sup> rev)
204-	(.191 in <sup>3</sup> rev)

(Mark Pump Size with X)  
 Consult factory for additional pumps sizes not shown.

Tank Orientation	
<input type="checkbox"/>	Horizontal
<input type="checkbox"/>	Vertical

(Mark orientation with X)

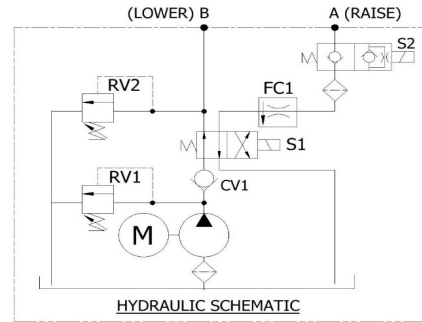
Motor Options	
<input type="checkbox"/>	1HP, 1PH, 115/208-230V
<input type="checkbox"/>	2HP, 1PH, 208-230V
<input type="checkbox"/>	2HP, 3PH, 208-230V

(Mark Motor Option)

Tank Style	
<input type="checkbox"/>	Plastic
<input type="checkbox"/>	Steel

(Mark Tank Option with X)

Tank Sizes	
<input type="checkbox"/>	1 Gallon
<input type="checkbox"/>	1.25 Gallon
<input type="checkbox"/>	1.5 gallon
<input type="checkbox"/>	2 gallon
<input type="checkbox"/>	3.5 gallon



### Application Information

Are there Drawings/Schematics available \_\_\_\_\_

Contact factory for other tank sizes available

Operating Pressure: \_\_\_\_\_ time on \_\_\_\_\_ time off \_\_\_\_\_

RV1 Pressure: \_\_\_\_\_ time on \_\_\_\_\_ time off \_\_\_\_\_

RV2 Setting \_\_\_\_\_

Type of hydraulic fluid: \_\_\_\_\_ Fluid conditions: \_\_\_\_\_

Envelope restrictions: \_\_\_\_\_

Mounting requirements \_\_\_\_\_

Cylinder information: Stroke \_\_\_\_\_ Rod \_\_\_\_\_ Bore \_\_\_\_\_

No. of units required: \_\_\_\_\_  Mo.  Yr  Prototype required

Target Price: \_\_\_\_\_ Target Customer \_\_\_\_\_

Additional Information \_\_\_\_\_

(Coil Type, Fittings, PCFC, Etc.) \_\_\_\_\_

---



---



---