



MTE Hydraulics, Inc.  
 Rockford, IL 61109  
 Tel: 815-397-4701

Website [www.mtehydraulics.com](http://www.mtehydraulics.com)

[Main Menu](#)

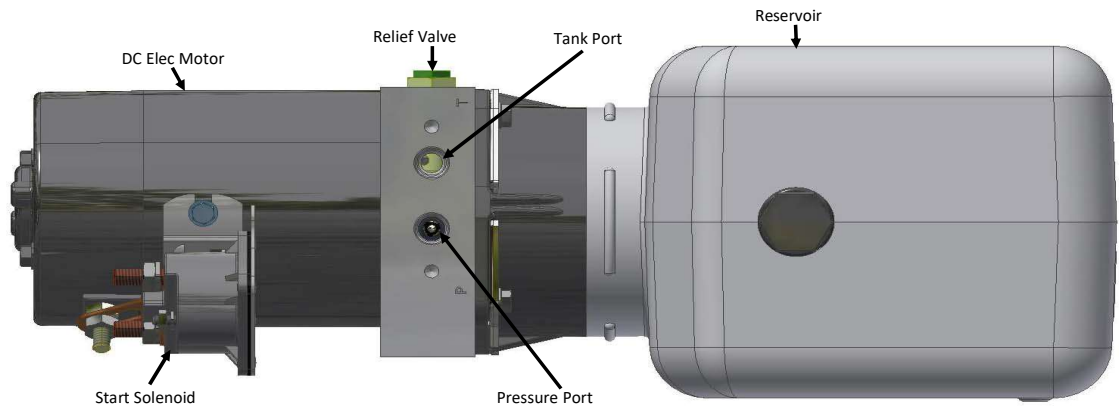
## Manifold Mount DC Unit

### Description

Manifold Mount Unit  
 Internal Check Valve  
 Relief Valve  
 9/16-18 SAE Ports.  
 Horizontal or Vertical Mounting

### Available Options

DO3 Mounting Attachment



### Ordering Information

Fixed Displ Pump Size	
201-	(.067 in <sup>3</sup> /rev)
202-	(.110 in <sup>3</sup> rev)
203-	(.150 in <sup>3</sup> rev)
204-	(.191 in <sup>3</sup> rev)

(Mark Pump Size with X)

Consult factory for additional pumps sizes not shown.

Motor Options	
12VDC	Std duty Motor
12VDC	Heavy duty Motor
24VDC	Std duty Motor

(Mark Motor Option with X)

Tank Orientation	
Horizontal	
Vertical	

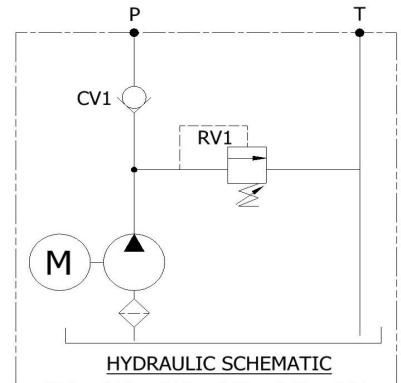
(Mark orientation with X)

Tank Sizes	
3 Qt	
1 Gallon	
1.25 Gallon	
1.5 Gallon	
2 Gallon	

Contact factory for other tank sizes available

Tank Style	
Plastic	
Steel	

(Mark Tank)



### Application Information

Are there Drawings/Schematics available \_\_\_\_\_

Operating Pressure: \_\_\_\_\_ time on \_\_\_\_\_ time off \_\_\_\_\_

RV Pressure: \_\_\_\_\_ time on \_\_\_\_\_ time off \_\_\_\_\_

Type of hydraulic fluid: \_\_\_\_\_ Fluid conditions: \_\_\_\_\_

Envelope restrictions: \_\_\_\_\_

Mounting requirements \_\_\_\_\_

Cylinder information: Stroke \_\_\_\_\_ Rod \_\_\_\_\_ Bore \_\_\_\_\_

No. of units required: \_\_\_\_\_  Mo.  Yr  Prototype required

Target Price: \_\_\_\_\_ Target Customer \_\_\_\_\_

Additional Information \_\_\_\_\_

(Coil Type, Fittings, PCFC, Etc.)

---



---



---