



MTE Hydraulics, Inc.
 Rockford, IL 61109
 Tel: 815-397-4701

Website www.mtehydraulics.com

[Main Menu](#)

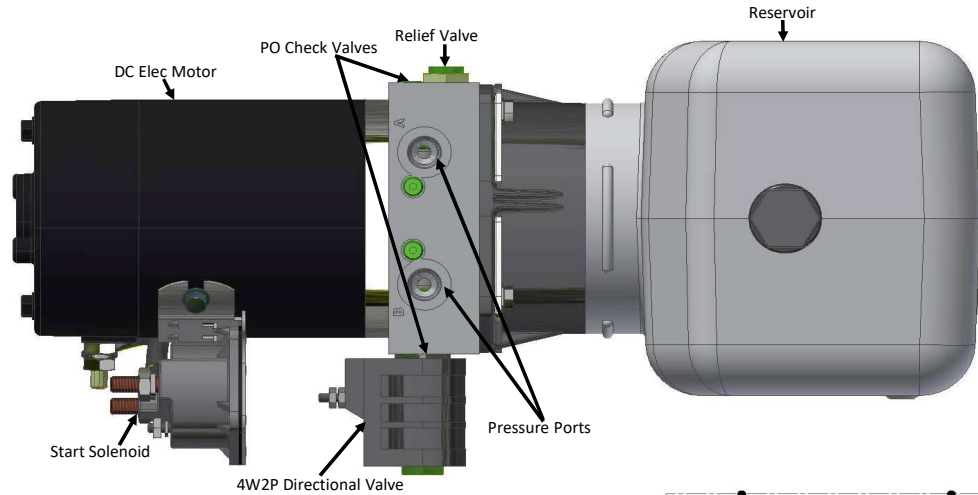
Power Up / Power Down DC Unit

Description

Power Up / Power Down Unit
 Internal Check Valve
 Pilot operated Checks
 Relief Valve
 (2) 9/16-18 SAE Ports.
 Horizontal or Vertical Mounting
 4W2P Directional Valve

Available Options

Pendant Control



Ordering Information

Fixed Displ Pump Size	
201-	(.067 in ³ /rev)
202-	(.110 in ³ rev)
203-	(.150 in ³ rev)
204-	(.191 in ³ rev)

(Mark Pump Size with X)

Consult factory for additional pumps sizes not shown.

Tank Sizes	
3 Qt	
1 Gallon	
1.25 Gallon	
1.5 Gallon	
2 Gallon	

Contact factory for other tank sizes available

Motor Options	
12VDC	Std duty Motor
12VDC	Heavy duty Motor
24VDC	Std duty Motor

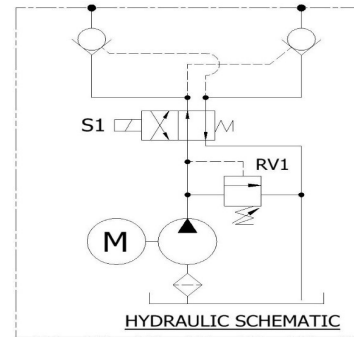
(Mark Motor Option with X)

Tank Orientation	
Horizontal	
Vertical	

(Mark orientation with X)

Tank Style	
Plastic	
Steel	

(Mark Tank)



Application Information

Are there Drawings/Schematics available _____

Operating Pressure: _____ time on _____ time off _____

RV Pressure: _____ time on _____ time off _____

Type of hydraulic fluid: _____ Fluid conditions: _____

Envelope restrictions: _____

Mounting requirements _____

Cylinder information: Stroke _____ Rod _____ Bore _____

No. of units required: _____ Mo. Yr Prototype required

Target Price: _____ Target Customer _____

Additional Information _____

(Coil Type, Fittings, PCFC, Etc.)
