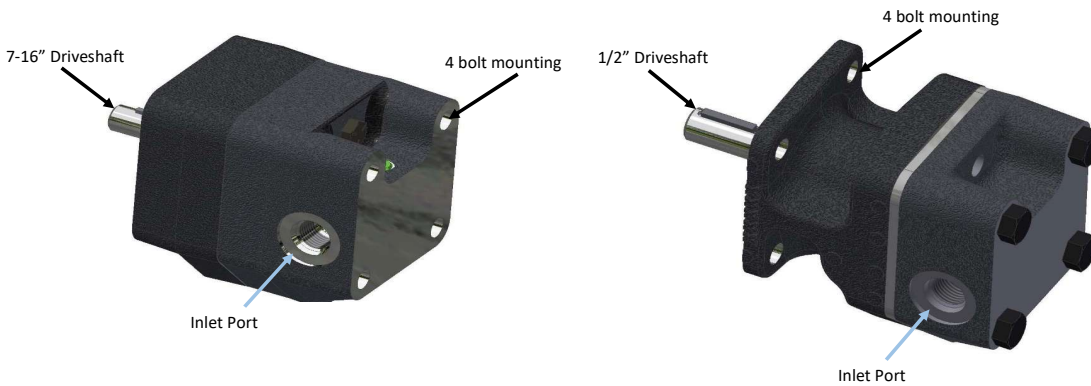
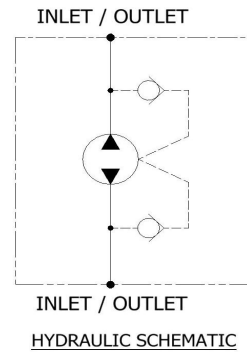


Hydraulic Pumps



DISPL CIR	SHAFT DIA IN.	SAE INLET PORT	SAE OUTLET PORT
0.067	1/2"	9/16-18	9/16-18
0.097	1/2"	9/16-18	9/16-18
0.129	1/2"	3/4-16	9/16-18
0.192	1/2"	3/4-16	9/16-18
0.323	1/2"	7/8-14	3/4-16
0.434	1/2"	7/8-14	7/8-14
0.479	1/2"	7/8-14	7/8-14



Ordering Information

Are there Drawings/Schematics available _____

Operating Pressure: _____ time on _____ time off _____

Type of hydraulic fluid: _____ Fluid conditions: _____

How is pump driven? _____

Displacement: 1st section: _____

Port sizes and locations: _____ Mtg flange type,size: _____

Shaft description(type,size) _____ Rotation direction: _____

Cylinder information: Stroke _____ Rod _____ Bore _____

No. of units required: _____ Mo. Yr Prototype required

Target Price: _____ Target Customer _____

Additional Information _____