



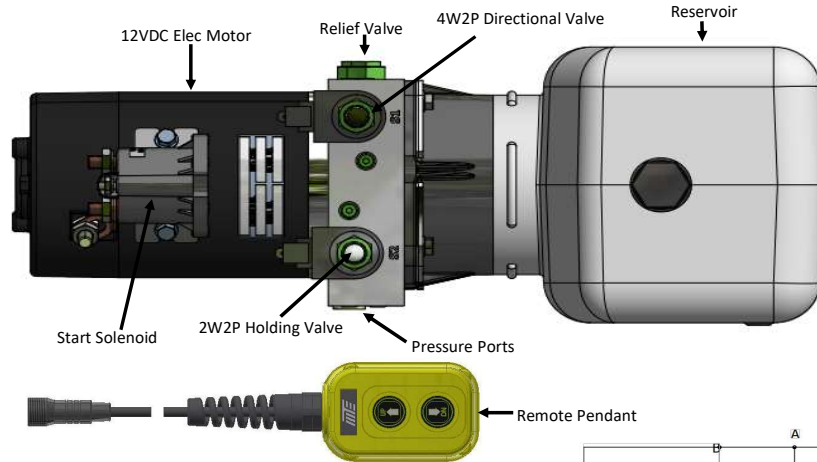
Power Up / Power Down DC Unit

Description

Power Up / Power Down Unit
 Internal Check Valve
 2W2P Normally Closed Valve
 4W2P Directional Valve
 (2) Relief Valve
 (2) 9/16-18 SAE Ports
 Horizontal or Vertical Mounting
 Remote Control

Available Options

Manual Lowering
 PCFC



Ordering Information

Fixed Displ Pump Sizes

201- (.067 in ³ /rev)
202- (.110 in ³ /rev)
203- (.150 in ³ /rev)
204- (.191 in ³ /rev)

(Mark Motor Option with X)

Consult factory for additional pumps sizes not shown.

Tank Sizes

3 Qt
1 Gallon
1.25 Gallon
1.5 Gallon
2 Gallon

Contact factory for other tank sizes available

Motor Options

12VDC Std duty Motor
12VDC Heavy duty Motor
24VDC Std duty Motor

(Mark Motor Option with X)

Tank Orientation

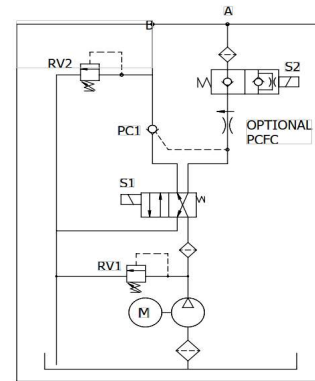
Horizontal
Vertical

(Mark orientation with X)

Tank Style

Plastic
Steel

(Mark Tank)



Application Information

Are there Drawings/Schematics available _____

Operating Pressure: _____ time on _____ time off _____

RV1 Pressure: _____ time on _____ time off _____

RV2 Setting _____

Type of hydraulic fluid: _____ Fluid conditions: _____

Envelope restrictions: _____

Mounting requirements _____

Cylinder information: Stroke _____ Rod _____ Bore _____

No. of units required: _____ Mo. Yr Prototype required

Target Price: _____ Target Customer _____

Additional Information _____

(Coil Type, Fittings, PCFC, Etc.) _____
